

**Energy efficient  
with best  
light quality**

# Re-Fit Retrofitting of grid luminaires

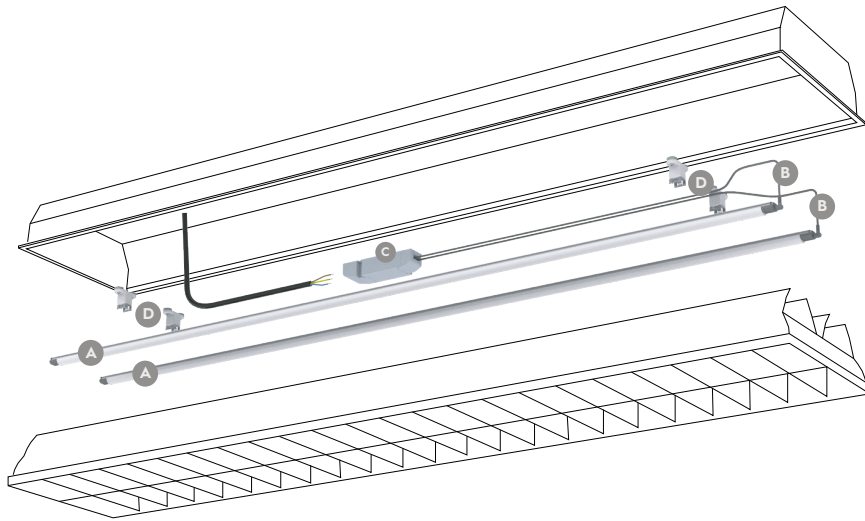
**Plug&Play**  
Simple mounting  
with magnetic clips

**ILLUXTRON®**  
LIGHTING

## RETROFITTING OF GRID LUMINAIRES

Due to the phase-out of conventional light sources (T5, T8) a solution was developed with which existing grid luminaires can be converted and used further. We offer Re-Fit Sets with the latest LED technology and guarantee simple and safe handling.

- A** Refit luminaire
- B** Feeder cable
- C** PSU
- D** Mounting holder(s)



## FEATURES

- Efficient & flicker-free ceiling lighting
- Suitable for retrofitting fluorescent tubes
- Plug&Play solution thanks to cinch connection system
- High efficiency thanks to light control, integrated heat dissipation
- Excellent illumination thanks to combination of SMD LEDs and innovative optics
- Safe thanks to safety extra-low voltage
- Simple installation using fixing plates
- Moisture protection by sealing the modules
- Screwed end caps made of PBT
- Dimmable
- Light color = 2700K, 3000K and 4000K

**Sustainability**  
The existing luminaire housing can remain. No structural measures on the ceiling required.

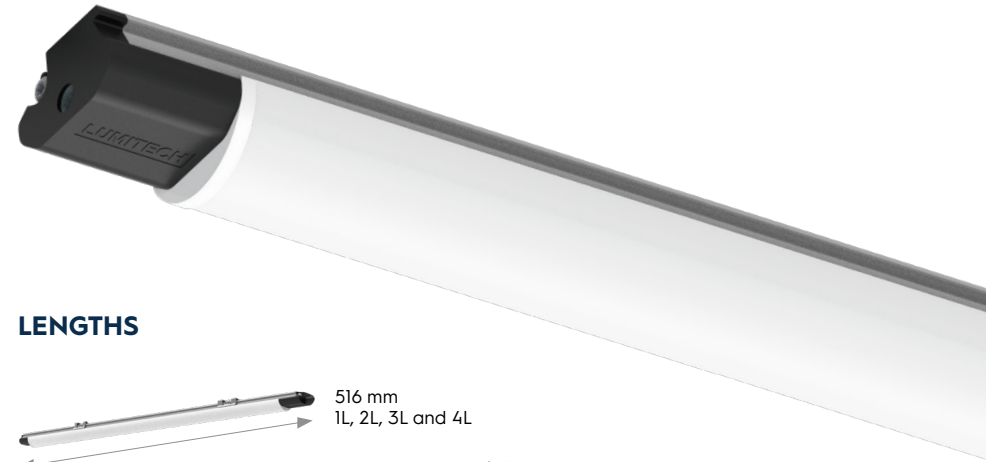


IP54 Protection of the luminaire (Electronic ballast IP20)

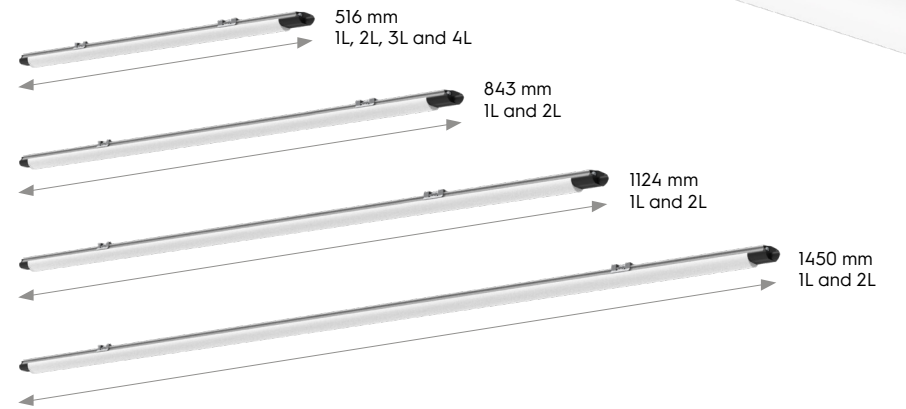
**PLUG&PLAY**

Simple mounting thanks to cinch connection system and magnetic clips and (average time to convert grid luminaire 8-12 minutes).

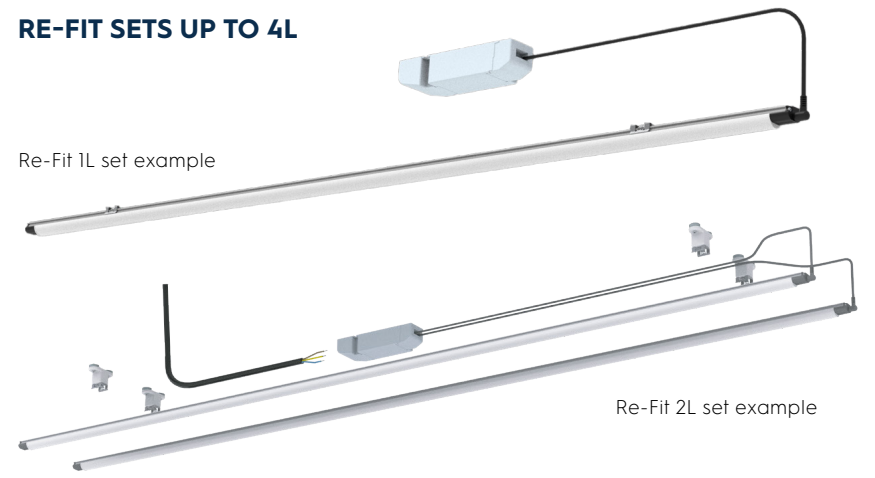
PLUG&PLAY



**LENGTHS**



**RE-FIT SETS UP TO 4L**





### FULLY CERTIFIED LED LIGHT SOURCE

Fully certified LED light source in accordance with ENEC standard (CE, ENEC, UL, EN, etc.) Flawless product situation in terms of standards, liability and warranty. In contrast, the situation with LED tubes is always critical and contentious in terms of the warranty. When retrofitting LED tubes, the electrician must issue a new CE declaration of conformity for the retrofitted light source.

### RESILIENCY TO GRID FLUCTUATIONS

Converter buffering for longer service life (LED module not directly connected to 230 V / 50 Hz) 70,000 h L80B10.

### FLICKER-FREE

No blanking intervals as LEDs not directly connected to 230 V / 50 Hz .

### TOP COLOR RENDERING

And excellent viewing comfort thanks to CRI 92.

### ILLUXTRON INTERNATIONAL

All products are developed by our own people and then assembled in various workshops by people with a disadvantage on the labor market. The range is aimed at the higher market segment and guarantees the use of high quality materials, resulting in a warranty of 7 years. 7 years warranty can be guaranteed.

**ILLUXTRON®**  
LIGHTING



Check out our website for  
more information and inspiration.  
Scan the QR code or go to  
[illuxtron.com](http://illuxtron.com)!



**Illuxtron International BV**  
Mercuriusweg 19  
4382 NC Vlissingen  
The Netherlands

+31 (0)85 773 63 60  
[info@illuxtron.com](mailto:info@illuxtron.com)  
[www.illuxtron.com](http://www.illuxtron.com)

**ILLUXTRON®**  
LIGHTING